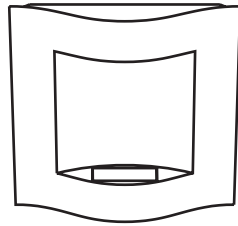
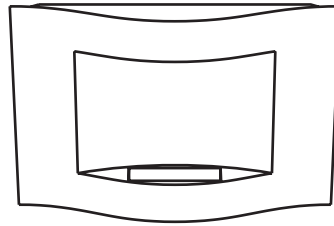


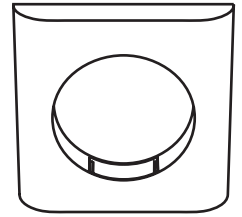
Fireplace



65174



65184

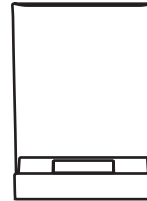


65185

Fireplace Body A

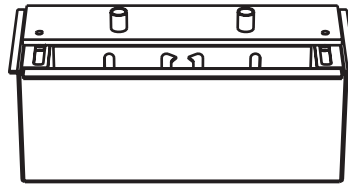


65186

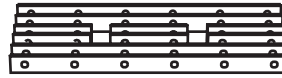


65187

Burner B



Grill C



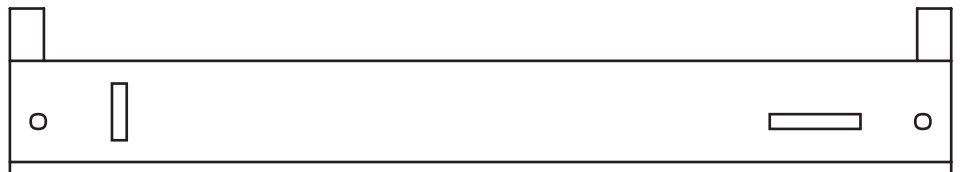
Glass D (Fireplace 65185 only)



Fig. 1

Mounting Hardware

Mounting Bar Unit E



Screws F



Washers G



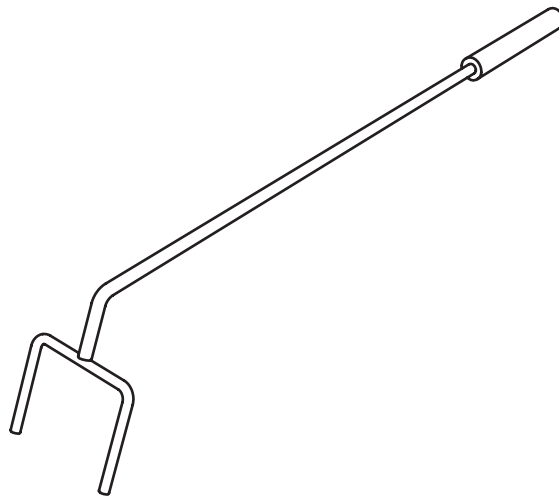
Wall Plugs H



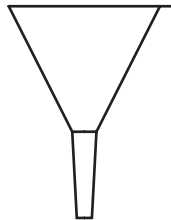
Fig. 2

Accessories

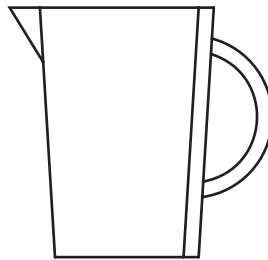
Controller Tool I



Funnel J



Measuring Jug K



Fuel L

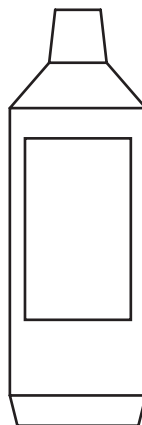


Fig. 3

Mounting Height

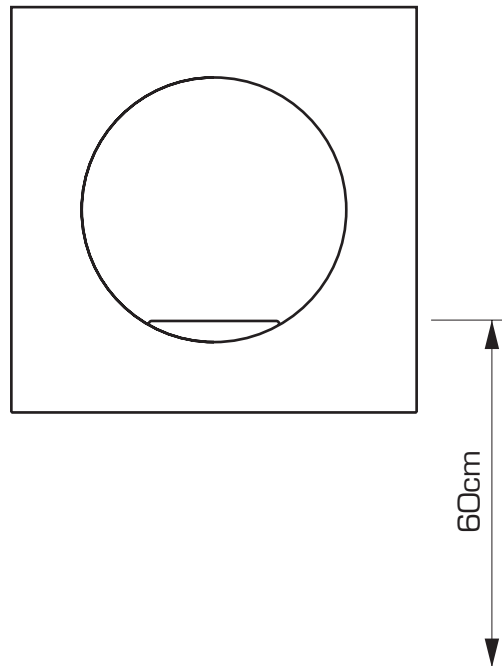


Fig. 4

Mounting of Hardware

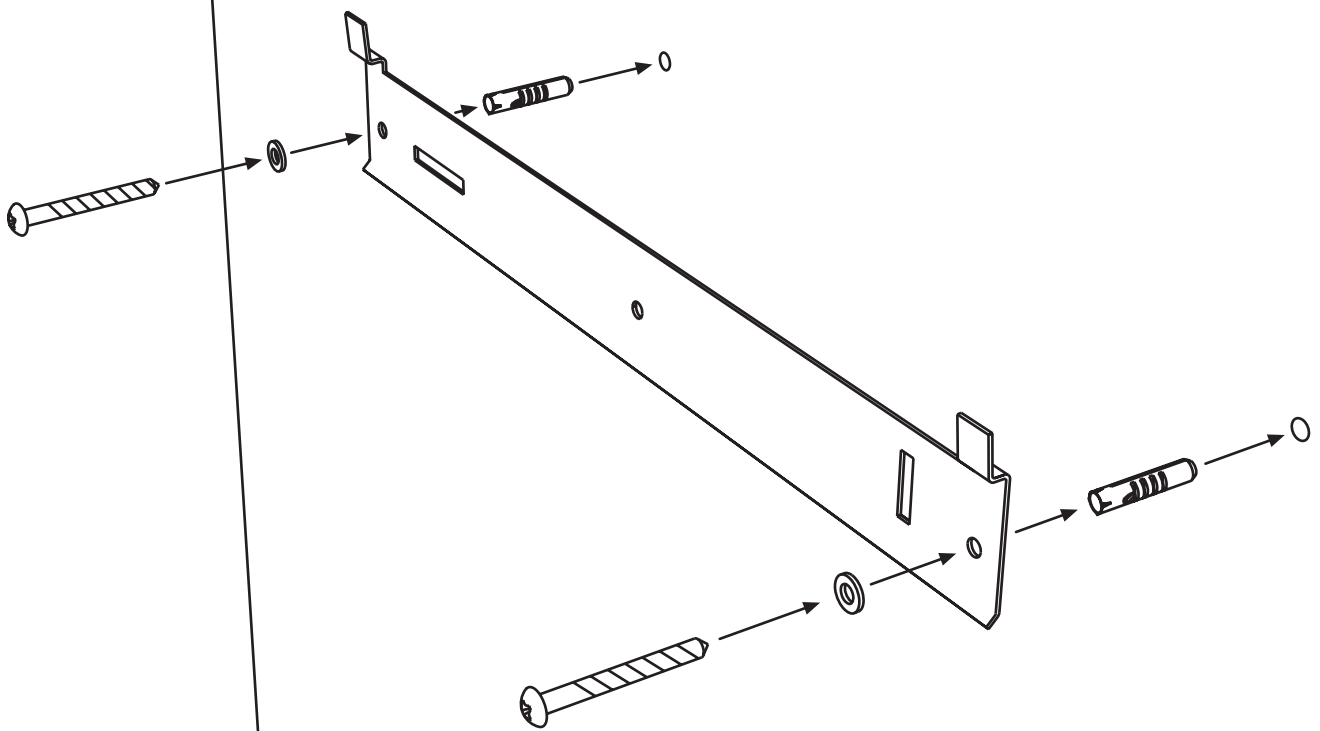


Fig. 5

Installation of Fireplace Body

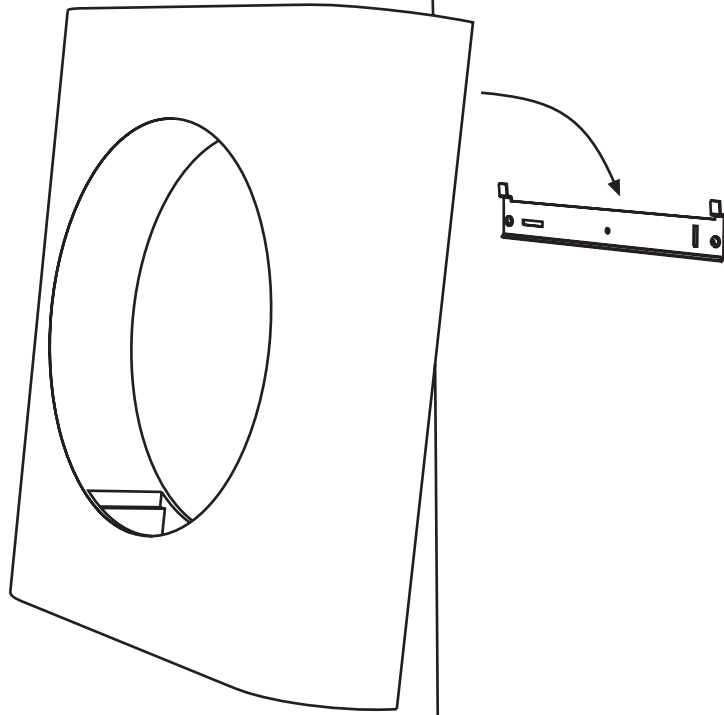


Fig. 6

Installation of the Glass (Fireplace 65185 only)

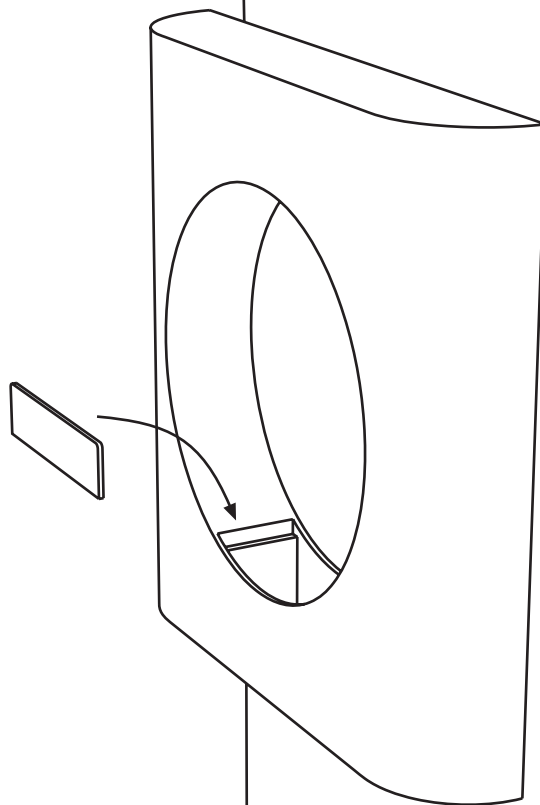


Fig. 7

Installation of the Burner

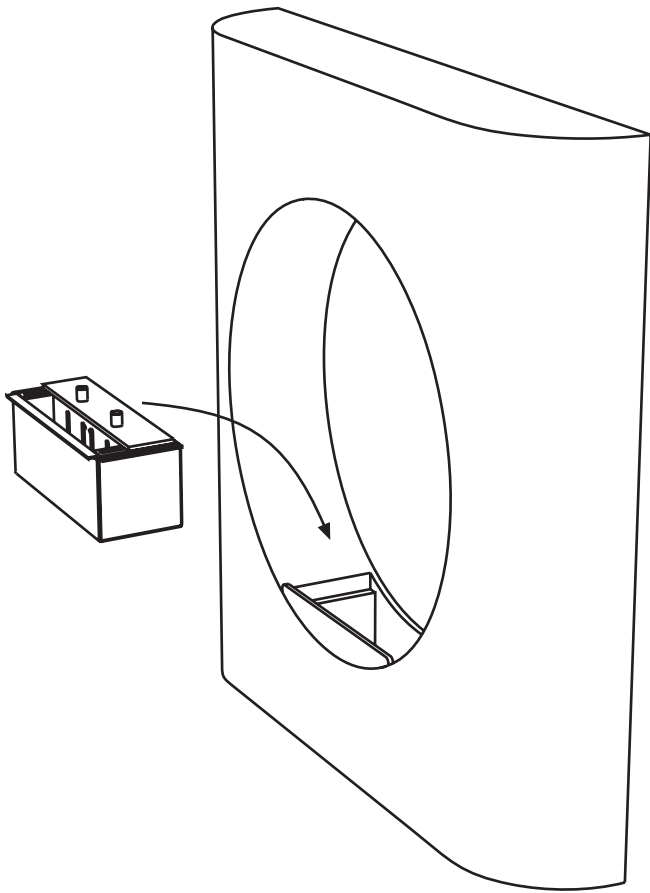


Fig. 8

Installation of the Grill

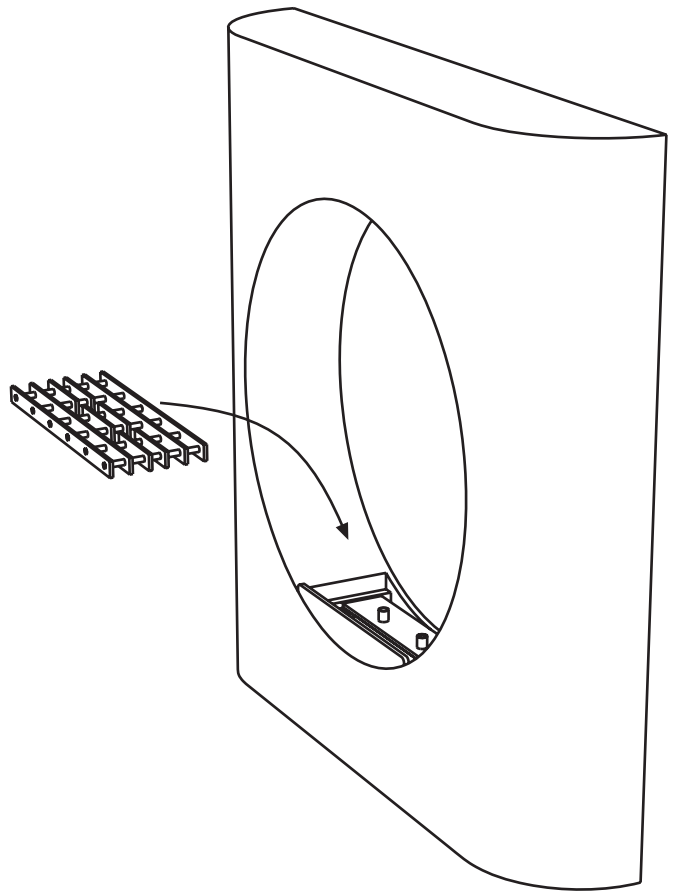


Fig. 9

Burner

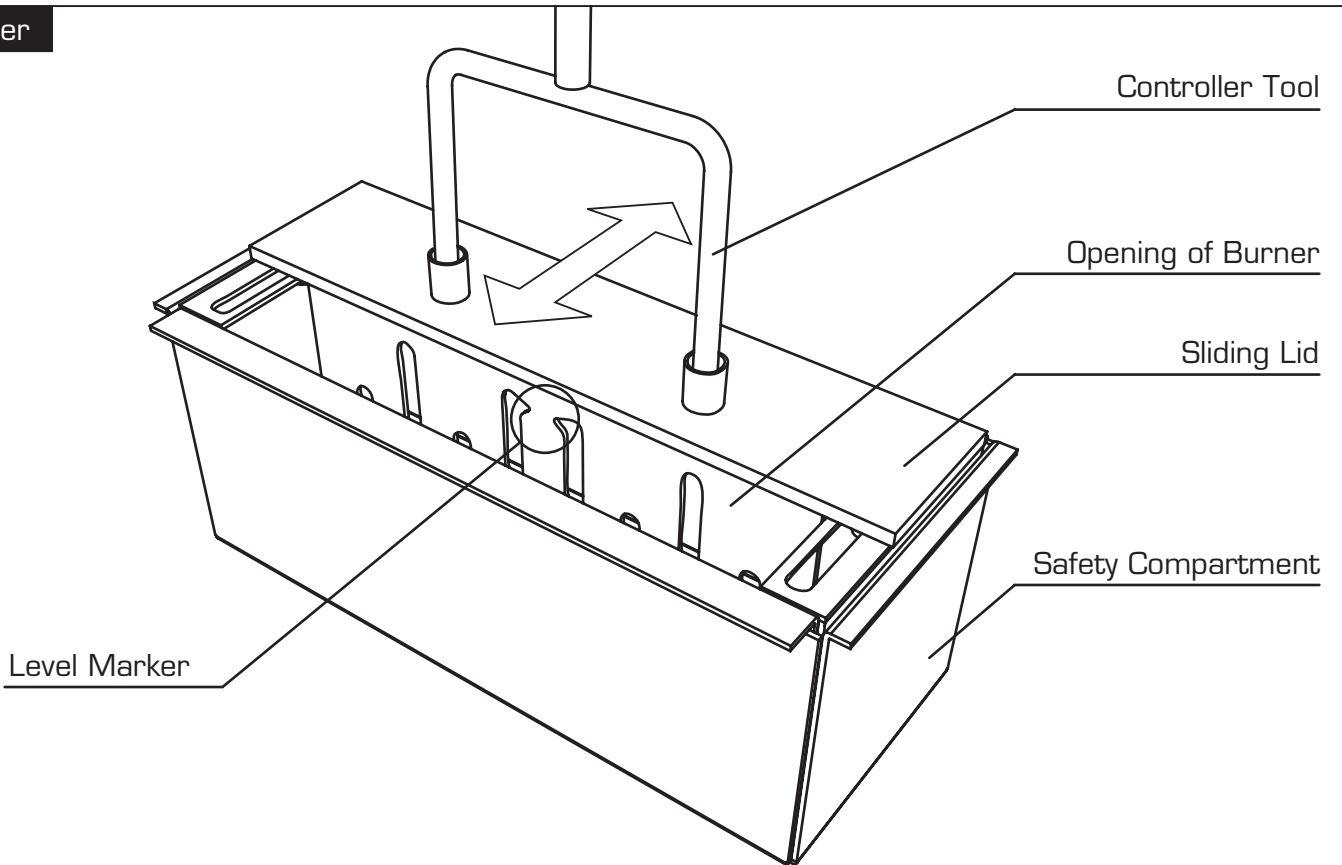


Fig. 10